



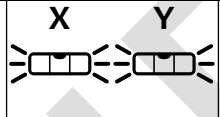
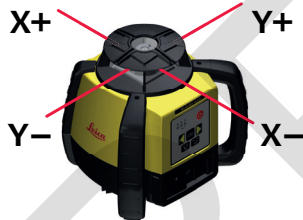
Version 1.0

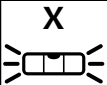
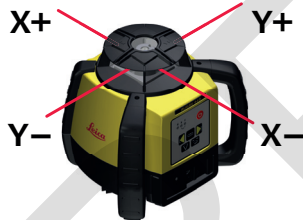
Leica Rugby 640

Quick Start

- when it has to be **right**

Leica
Geosystems





0 rps, 2 rps, 5 rps, 10 rps



10°, 45°, 90°





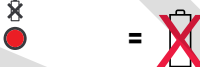
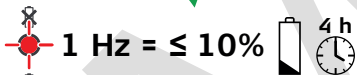
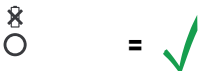
H.I. ALERT



+  5 Hz =



Battery (Li-Ion)



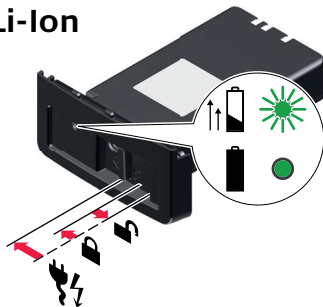
Battery (Alkaline)



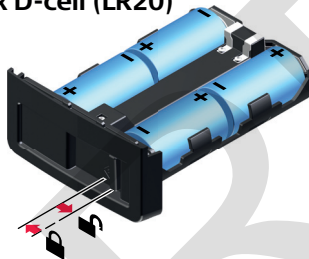
90°



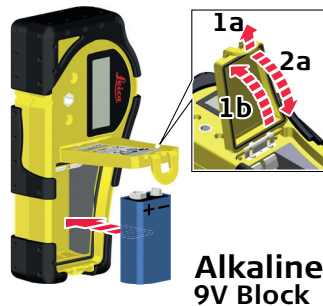
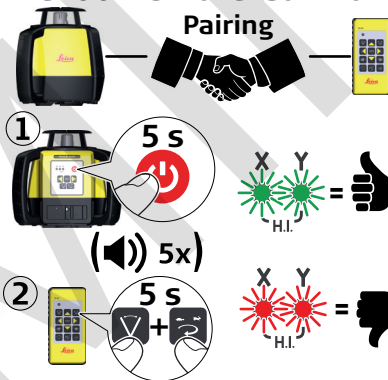
Li-Ion



Alkaline
4x D-cell (LR20)



RC400 Remote Control
Pairing



Rod Eye 140, Classic



0/1



$\pm 1 \text{ mm}$, $\pm 2 \text{ mm}$, $\pm 3 \text{ mm}$



Rod Eye Basic



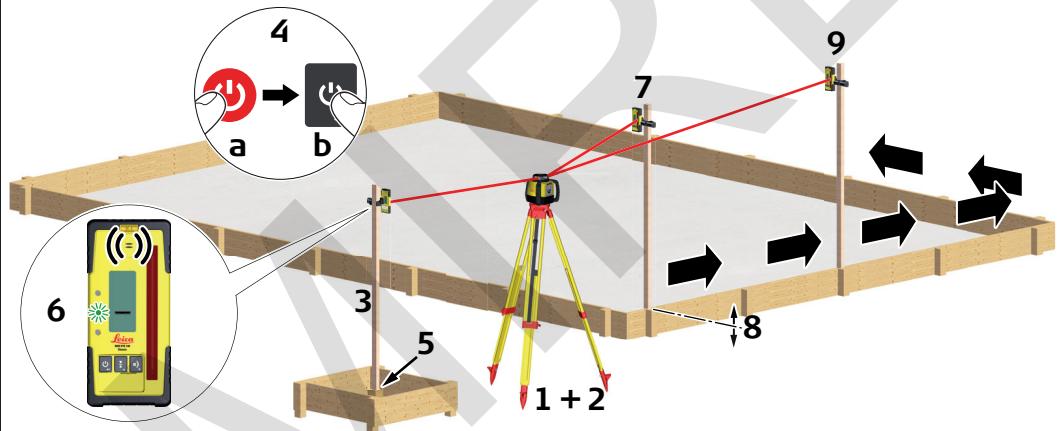
0/1



$\pm 1 \text{ mm}$, $\pm 3 \text{ mm}$

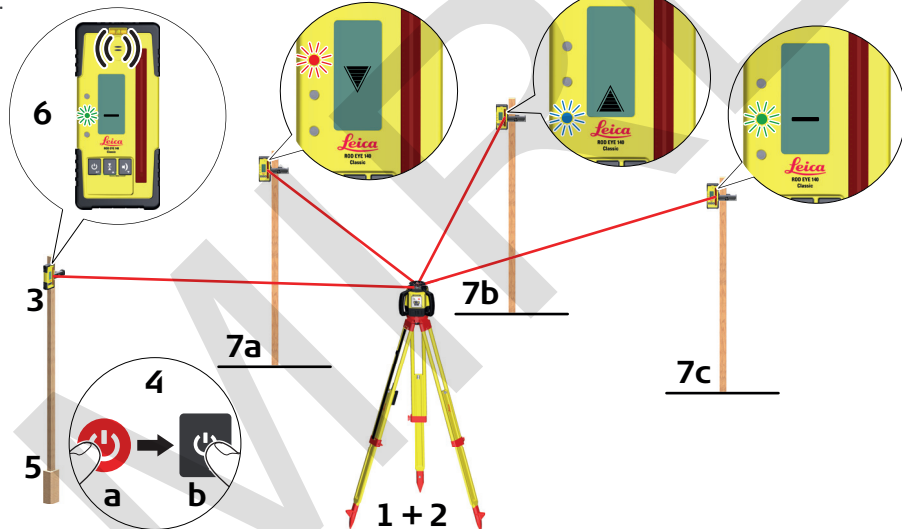


Setting Forms

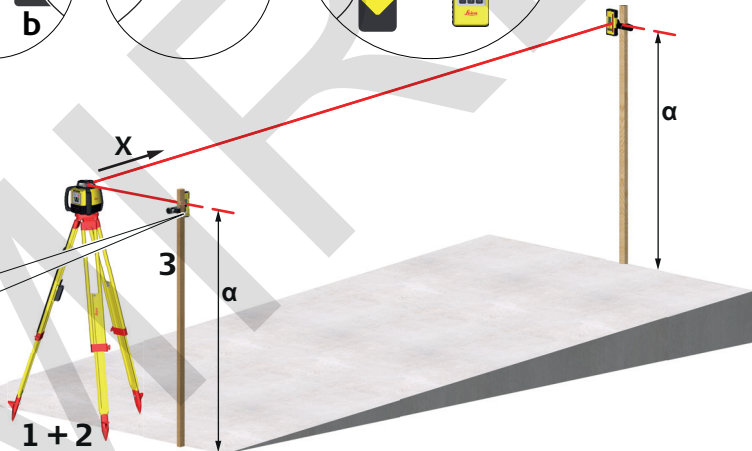
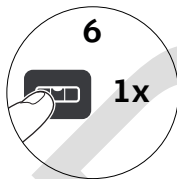
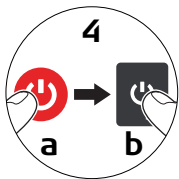


Checking Grades

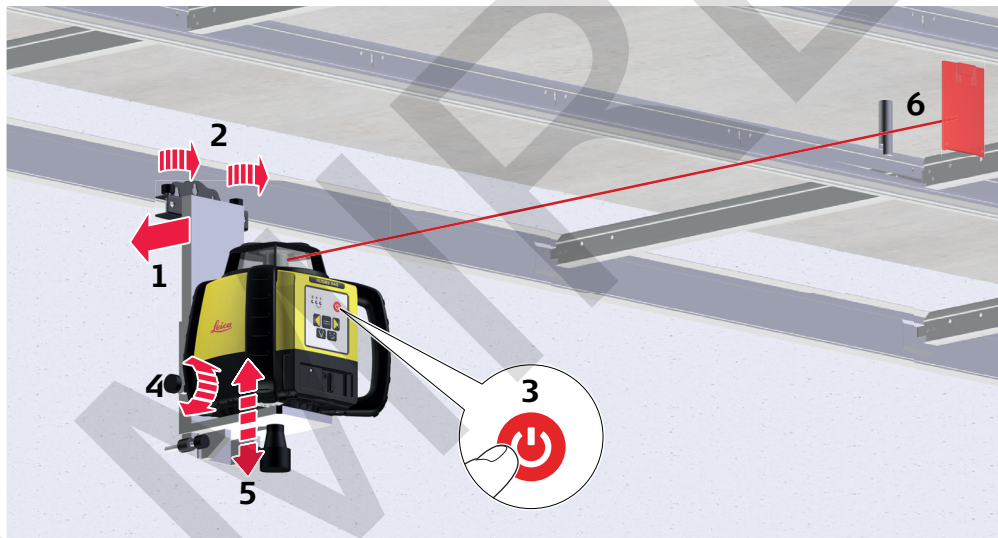
X Y
H.I.



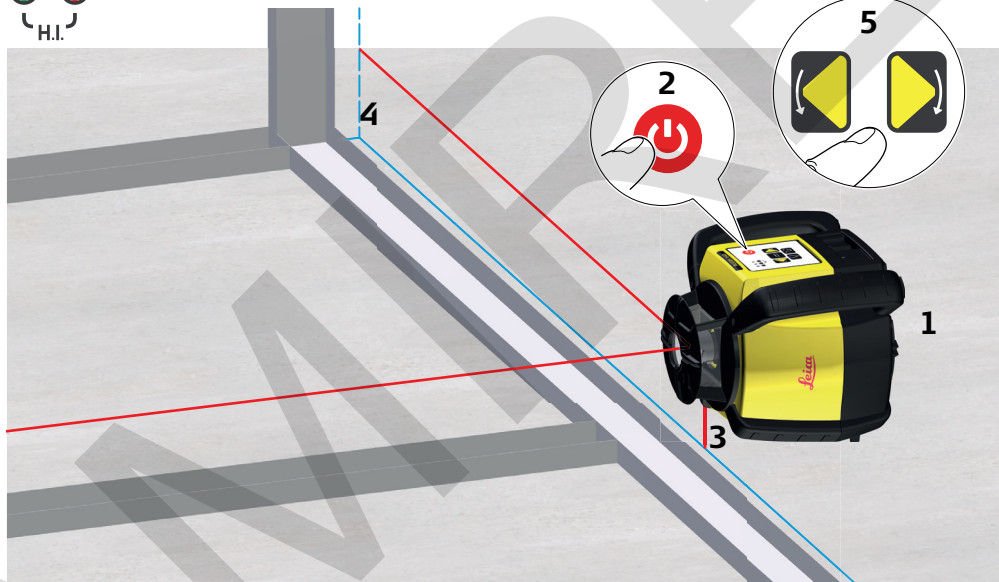
Manual Grading



Suspended Ceilings



Layout





Laser class 2 product in
accordance with
IEC 60825-1

Leica Geosystems AG

Heinrich-Wild-Strasse
CH-9435 Heerbrugg
Switzerland
Phone +41 71 727 31 31

www.leica-geosystems.com

- when it has to be **right**

Leica
Geosystems

799992-1.0.0

Original text
© 2013 Leica Geosystems AG, Heerbrugg, Switzerland